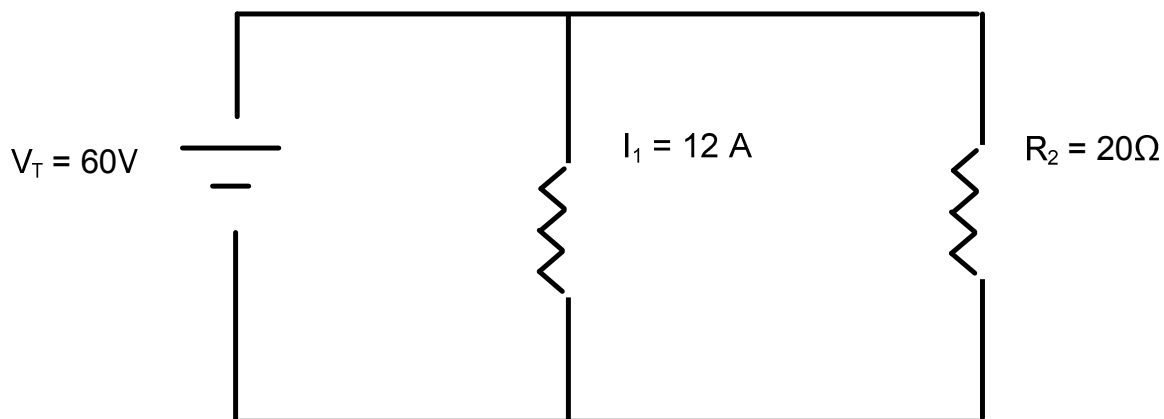


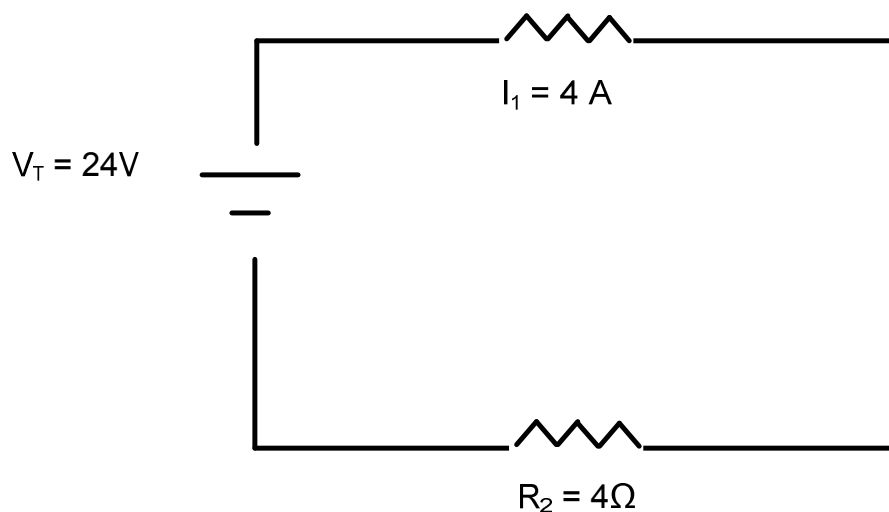
**PHYSICS****COMPLEX CIRCUIT ANALYSIS**

Recall: Solving Simple Circuits ...

Solve the following circuit.

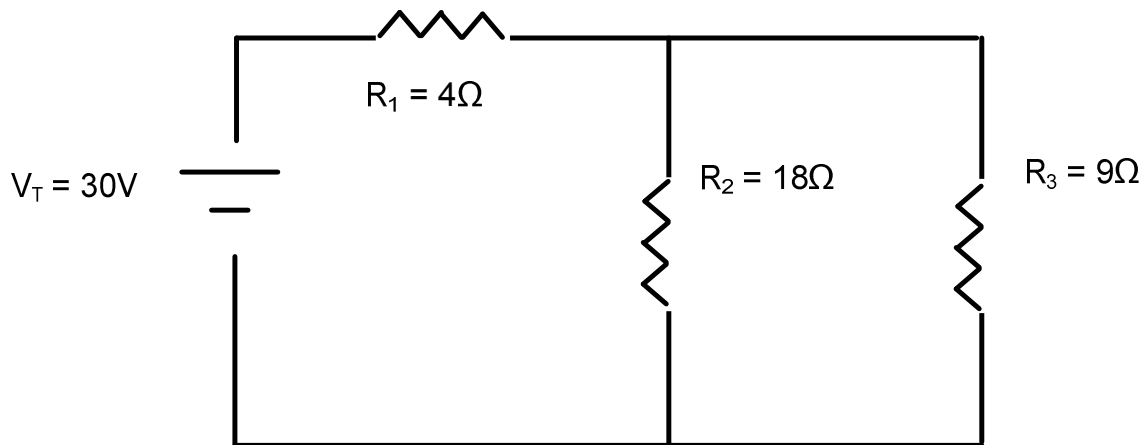


Solve the following circuit ...



**PHYSICS****COMPLEX CIRCUIT ANALYSIS****COMPLEX ELECTRIC CIRCUITS**

A complex circuit is an electrical circuit that is part series and part parallel. In order to solve these complex circuits one needs to reduce it to a series circuit. Observe ...

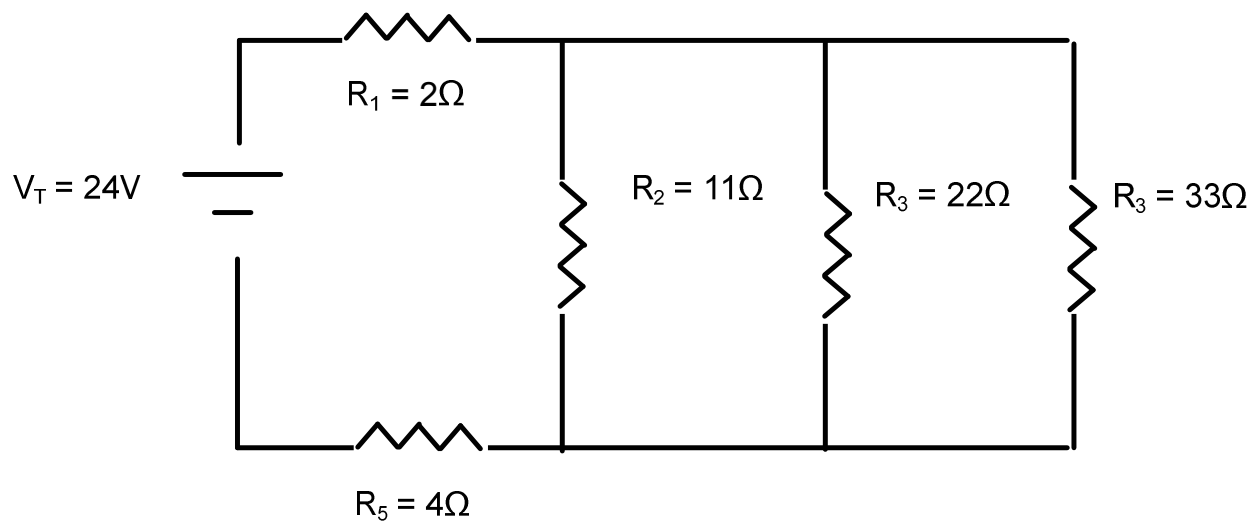




PHYSICS

COMPLEX CIRCUIT ANALYSIS

Ex 2:



**PHYSICS****COMPLEX CIRCUIT ANALYSIS**

Ex 3:

